



ASME TOROIDAL TANK

Full (center-filled) toroidal tank with valve plate, mounting brackets/legs (which can be tailored to individual customer requirements and vehicle floor layout), usually assembled in place of the spare tire, but can also be installed under the vehicle.

Technical Data

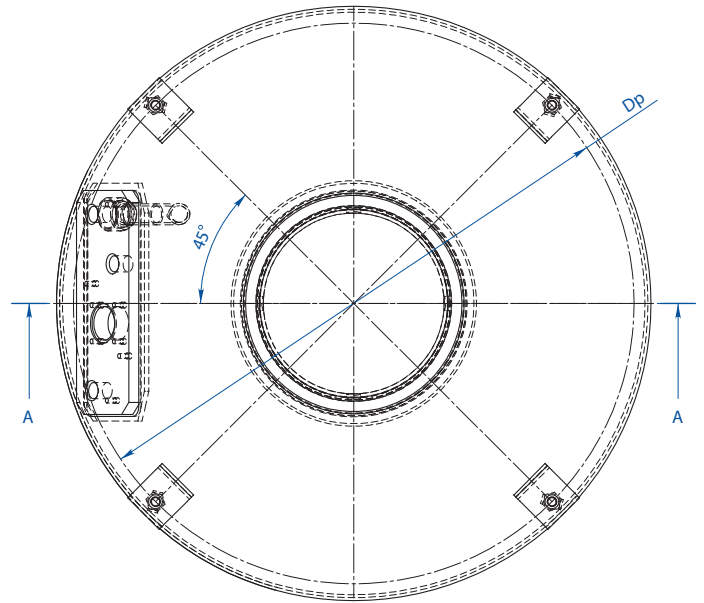
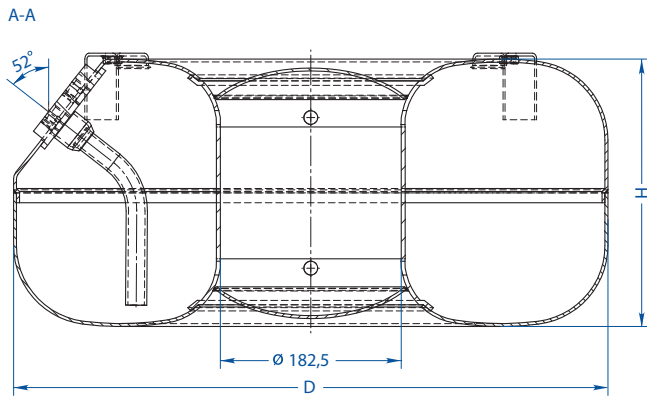
- Service pressure: 312 PSI
- Standard: ASME Code Section VIII, Division I
- Coating: powder coat black
- Assembled with UL listed valves and vapor box for optional in-vehicle installation
- Weld-on mounting brackets for easy on-board assembly
- Canadian registered in all provinces (CRN)

Standard Fittings & Accessories

- Service valve
- Fill valve with OPD
- Fixed liquid level
- Pressure relief
- Liquid level gauge
- Mounting brackets

Other Features

- ASME data plate is made of stainless steel and is seal-welded to the tank
- All pressure containing welds are done mechanically or robotically for optimum weld quality
- 100% pressure tested



F14L Partial Listing:

PART NUMBER	DIAMETER D [in.]	DIAMETER D [mm]	HEIGHT H [in.]	HEIGHT H [mm]	MASS M [lbs]	MASS M [Kg]	WATER CAPACITY [Gal]	WATER CAPACITY [L]	SERVICE PRESSURE [Psi]	USABLE PROPANE CAPACITY [80% of nominal] [Gal]
378273	23.6	600	9.8	250	79	36	15.1	57	312	12
378274	25.6	650	10.6	270	90	41	19.5	74	312	15.6
378275	26.8	680	9.1	230	88.2	40	17.4	66	312	13.9
378276	26.8	680	9.4	240	90.4	41	18.2	69	312	14.6
378277	28.4	720	10.6	270	106	48	23.5	89	312	18.8
378271	28.4	720	11.8	300	132.3	60	26.4	100	312	21.1
378278	28.4	720	13	330	138.9	63	29.3	111	312	23.5
378272	28.4	720	13.8	350	146	66	31.7	120	312	25.4